

FEATURES

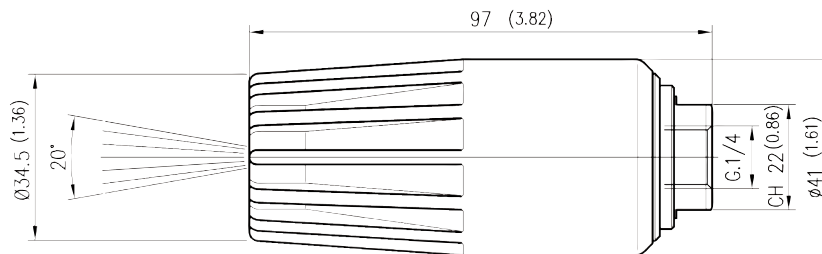
- Strong brass structure
- Highly shock resistant ceramic seat and nozzle
- Oversized bearings for long life
- Can be used in any position



SPECIFICATIONS

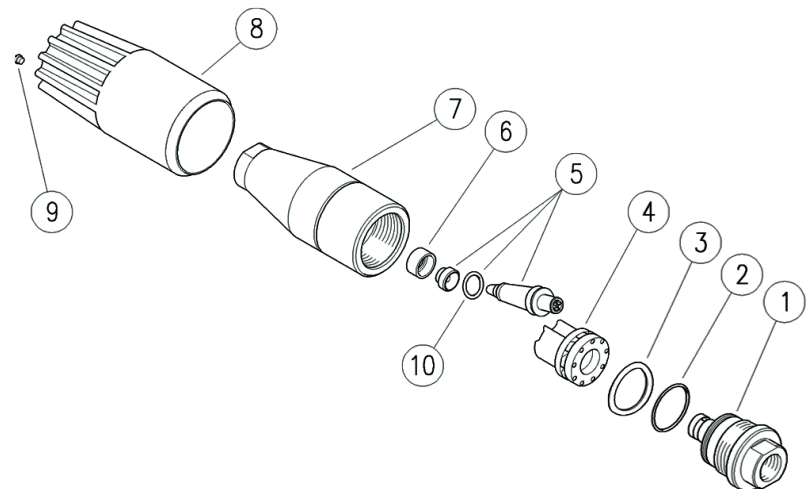
Part Number	YR23K40	YR23K45	YR23K50	YR23K55	YR23K60	YR23K65	YR23K70
Size	4.0	4.5	5.0	5.5	6.0	6.5	7.0
Color Code	Yellow	Blue	Purple	Red	Green	Light Blue	Orange
Minimum Pressure	435 PSI						
Maximum Pressure	2300 PSI						
Maximum Temperature	212 ⁰ F						
Inlet	1/4" BSP-F						
Weight	0.9 lbs						

DIMENSIONS



PARTS LIST

Item	Part No.	Description	QTY.
1	25166331	Coupling, 1/4" BSP-F, YR23K40	1
1	25163431	Coupling, 1/4" BSP-F, YR23K45	1
1	25163431	Coupling, 1/4" BSP-F, YR23K50	1
1	25163531	Coupling, 1/4" BSP-F, YR23K55	1
1	25163531	Coupling, 1/4" BSP-F, YR23K60	1
1	25164531	Coupling, 1/4" BSP-F, YR23K65	1
1	25163631	Coupling, 1/4" BSP-F, YR23K70	1
2	10307201	O-ring, 1.78 x 20.35, Ni 85	1
3	25162663	Washer, 14.8 x 23 x 0.1 mm, Sst.	1
4	25163122	Turbine	1
5	25163724	Spares Kit, YR23K40	1
5	25163724	Spares Kit, YR23K45	1
5	25163824	Spares Kit, YR23K50	1
5	25166824	Spares Kit, YR23K55	1
5	25163924	Spares Kit, YR23K60	1
5	25164024	Spares Kit, YR23K65	1
5	25164124	Spares Kit, YR23K70	1
6	25162485	Seal, 7.2 x 12 x 6	1
7	25162231	Housing	1
8	25168185	Knob, yellow	1
9	15200040	Stud, dark yellow	1
10	10323000	O-ring, 3.53 x 7.52	2



General Pump
is a member of
the Interpump Group

Ref 300643 Rev. B
06-09