

Triples Plunger Pump, 3/4" Hollow Shaft Flanged for Direct Couple To Gas Engine

FEATURES

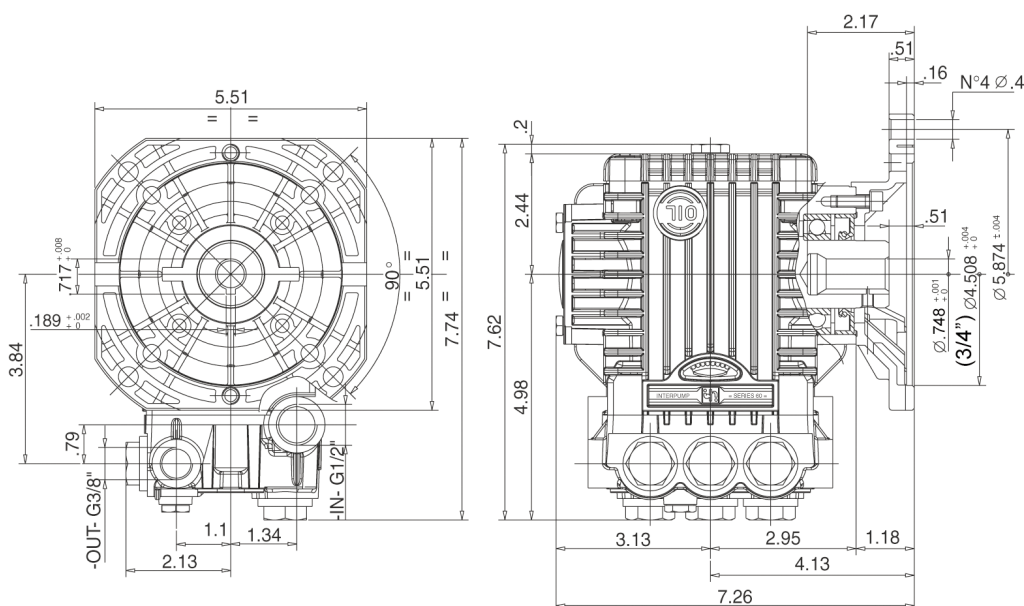
- Compact design
- 3/4" hollow shaft, flanged for direct couple to gasoline engines (SAE J609A)
- Oversized bearings for long life
- New generation seal system for longer life
- Forged brass manifold with an exclusive lifetime warranty*
- Exclusive premium built-in trapped pressure unloader on left side of manifold



SPECIFICATIONS

Pump Model	TC1506GUI	TC1507GUI	TC1508GUI	TC1509GUI
Maximum Volume	2.60 GPM	3.00 GPM	3.30 GPM	4.00 GPM
Maximum Discharge Pressure	2700 PSI		2500 PSI	
Horsepower	7.21 GHP	8.32 GHP	8.48 GHP	10.27 GHP
Maximum Pump Speed	3400 RPM			
Maximum Inlet Pressure	125 PSI			
Minimum Inlet Pressure	Flooded			
Plunger Bore (in / mm)	.591 in / 15 mm			
Plunger Stroke (in / mm)	.256 in / 6.5 mm	.283 in / 7.2 mm	.315 in / 8.0 mm	.370 in / 9.4 mm
Oil Capacity	11.8 oz			
Maximum Fluid Temperature	165°F			
Inlet Port Thread	1/2" - 14 BSP-F			
Discharge Port Thread	3/8" - 19 BSP-F			
Shaft Diameter	.750 in / 19 mm			
Weight	16.0 lbs			
Dimensions	10.4" x 8.0" x 7.7"			

DIMENSIONAL DRAWING

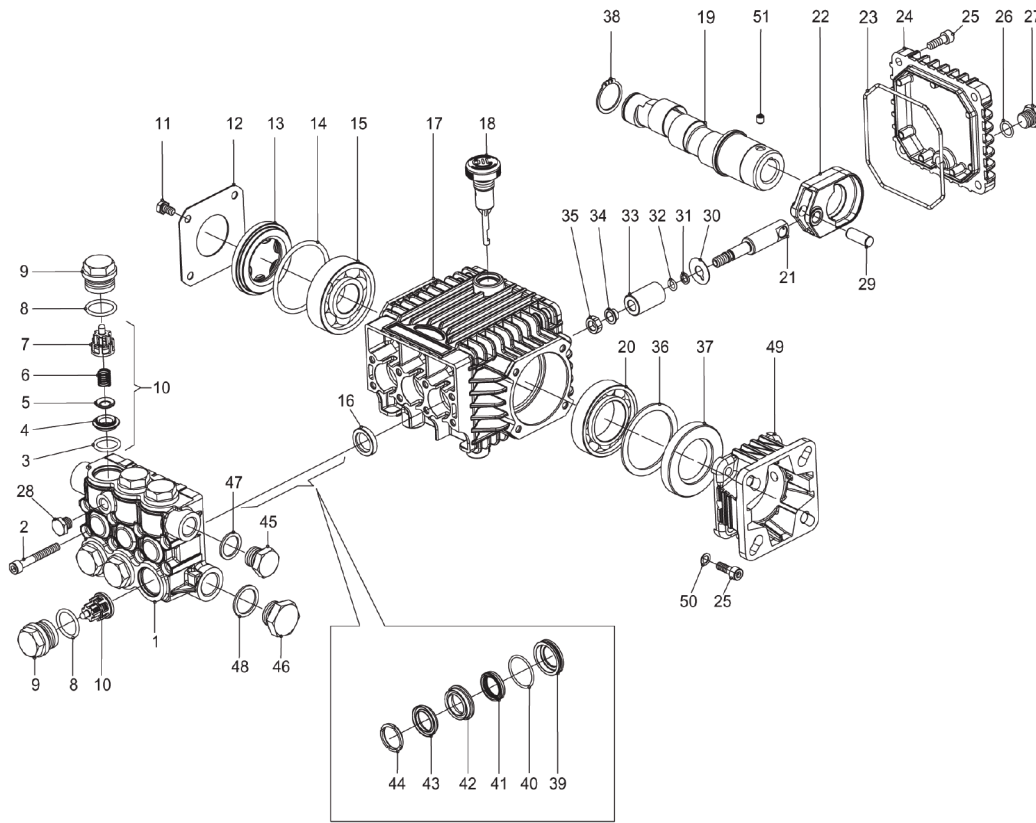


General Pump is a member of the Interpump Group



TC Series "60"

GENERAL PUMP *A member of the Interpump Group*



PARTS LIST

ITEM	PART NO.	DESCRIPTION	KIT NO.	QTY.	ITEM	PART NO.	DESCRIPTION	KIT NO.	QTY.	ITEM	PART NO.	DESCRIPTION	KIT NO.	QTY.
1.	60120041	Manifold, 15 mm		1	19.	60027500	Crankshaft, TC1508G		1	38.	90063500	Circlip		1
2.	99195000	Screw, M6 x 45		8		60027865	Crankshaft, TC1509G		1	39.	60080070	Seal, LP,15mm	200,226	3
3.	90384100	O-ring	123	6	20.	91846400	Bearing		1	40.	90360400	O-ring,	200,226	3
4.	36200366	Valve Seat	123	6	21.	60050066	Plunger Guide		3	41.	90260800	Seal, LP, 15 mm	196,226	3
5.	36200176	Valve	123	6	22.	60030022	Connecting Rod		3	42.	60216070	Intermediate Ring, 15	198,226	3
6.	94737600	Spring	123	6	23.	90391800	O-ring, Cover		1	43.	90262000	Seal, HP, 15mm	196,226	3
7.	36202551	Valve Cage	123	6	24.	60160022	Rear Crankcase Cover		1	44.	51100051	Head Ring, 15mm	196,226	3
8.	90384700	O-ring		6	25.	99186700	Screw, M6 x 18		8	45.	98210000	Plug, 3/8" G		1
9.	98221400	Valve Cap		6	26.	90358500	O-ring		1	46.	98217600	Plug, 1/2" G		1
10.	36711501	Valve Assembly	123	6	27.	98204100	Plug, 1/4" G		1	47.	96738000	Gasket, Alum., 3/8"		1
11.	99180700	Screw, M6 x 10		4	28.	98196600	Plug, 1/8" G		1	48.	96751400	Gasket, Alum., 1/2"		1
12.	50150074	Bearing Cover		1	29.	97733300	Wrist Pin		3	49.	10065222	Flange		1
13.	44211801	Oil Level Indicator		1	30.	96707000	Washer		3	50.	96693800	Washer		4
14.	90409700	O-ring		1	31.	90502200	Anti-ext. Ring		3	51.	99179000	Screw, M6		1
15.	91832800	Ball Bearing		1	32.	90357300	O-ring		3					
16.	90156500	Oil Seal	83	3	33.	60040009	Ceramic Plunger, 15mm		3					
17.	60010022	Crankcase		1	34.	44211570	Bushing		3					
18.	98210300	Oil Dip Stick		1	35.	92221600	Nut, M8		3					
19.	60027165	Crankshaft, TC1506G		1	36.	60210189	Spacer		1					
	60027365	Crankshaft, TC1507G		1	37.	90167500	Oil Seal		1					

REPAIR KITS

KIT NO.	K83	K123	K196 (15mm)	K198 (15mm)	K200 (15mm)	K226 (15mm)
ITEM NO's INCLUDED IN KIT	16	3, 4, 5, 6, 7 (10)	41, 43, 44	42	39, 40	39, 40, 41, 42, 43, 44
NUMBER OF ASSEMBLIES IN KIT	3	6	3	3	3	1
NUMBER OF CYLINDERS KIT WILL SERVICE	3	3	3	3	3	1

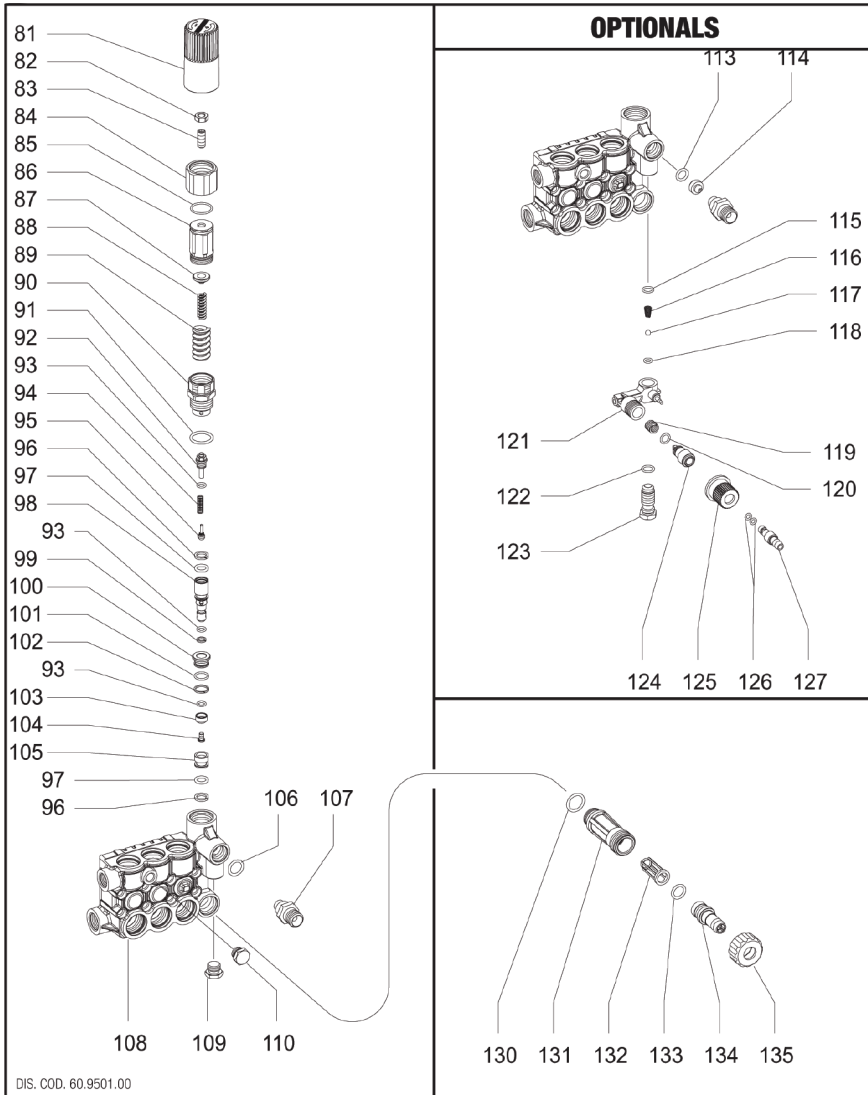
TORQUE SPECS*

Pos.	Ft/lb	Nm
2	8.8	12
9	59.0	80
11	7.4	10
25	7.4	10
27	14.7	20
28	9.6	13
35	11.1	15
44	29.5	40
46	29.5	40

* Decrease torque by 20% if threads are lubricated

TC Series "60"

GENERAL PUMP *A member of the Interpump Group*



PARTS LIST

ITEM	PART NO.	DESCRIPTION	KIT NO.	QTY.
81.	36318751	Knob		1
82.	92221800	Nut, M8		1
83.	99305400	Screw, M8 x 20		1
84.	36331670	Ring Nut		1
85.	90359800	O-ring, Ø 20.35 x 1.78		1
86.	36318570	Pressure Regulator		1
87.	36316970	Spring Plate		1
88.	94734500	Spring, Ø 7.6x29		1
89.	94743800	Spring, Ø 15x35		1
90.	36318470	Bushing, Guide	102	1
91.	90384700	O-ring, Ø 20.24x2.62	102	1
92.	36318870	Stroke Stopper	102	1
93.	90357500	O-ring, Ø6.75x1.78	102	3
94.	94733200	Spring, Ø 6.1x19	102	1
95.	36333151	Shutter	102	1
96.	90506500	Antiextrusion Ring	102	2
97.	90382200	O-ring, 9.92x2.62	102	2
98.	36318970	Control Piston	102	1
99.	90502500	Antiextrusion Ring	102	1
100.	36316570	Valve Guide	102	1
101.	90358900	O-ring, Ø 12.42x1.78	102	1
102.	90507500		102	1
103.	36319066	Spherical Valve	102	1
104.	99150900	Screw, M5x7.5	102	1
105.	36316466	Valve Seat	102	1
106.	90383200	O-ring, Ø 13.95x2.62	94	1
107.	10031870	Nipple, 3/8 NPT		1
108.	60120441	Manifold		1
109.	98205700	Plug, M14x1.5		1
110.	98196600	Plug, G 1/8x8		1
OPTIONALS				
113.	90382300	O-ring, Ø 9.92x2.62	94	1
114.	10015166	Nozzle, Ø 2		1
	10007666	Nozzle, Ø 2.2		1
115.	90358222	O-ring, 9.25x1.78	94	1
116.	94821700	Conical Spring	94	1
117.	97478200	Ball, Ø 7/32"	94	1
118.	90357200	O-ring, Ø 5.28x1.78	94	1
119.	94738300	Spring, Ø 9.75x10	94	1
120.	90358000	O-ring, Ø8.73x1.78	94	1
121.	36318151	Body		1
122.	90358500	O-ring, Ø 10.82x1.78	94	1
123.	36256370	Valve Seat		1
124.	36256470	Shutter		1
125.	36256551	Knob		1
126.	90357000	O-ring, Ø 4.48x1.78	94	2
127.	36256670	Hose Fitting Coupling		1
130.	90384100	O-ring, Ø 17.13x2.62		1
131.	36318251	Suction Nipple, G 3/4		1
132.	92892500	Filter		1
133.	90382800	O-ring, Ø 12.37x2.62		1
134.	36256970	Suction Hose Fitting		1
135.	92982800	Ring Nut, G 3/4		1

REPAIR KITS

KIT NO.	K94	K102
ITEM NO's INCLUDED IN KIT	106, 113, 115, 116, 117, 118, 119, 120, 122, 126	90, 91, 92, 93, 94, 95, 96, 97, 98, 99, 100, 101, 102, 103, 104, 105