

20 mm bore / 10 mm stroke

## FEATURES

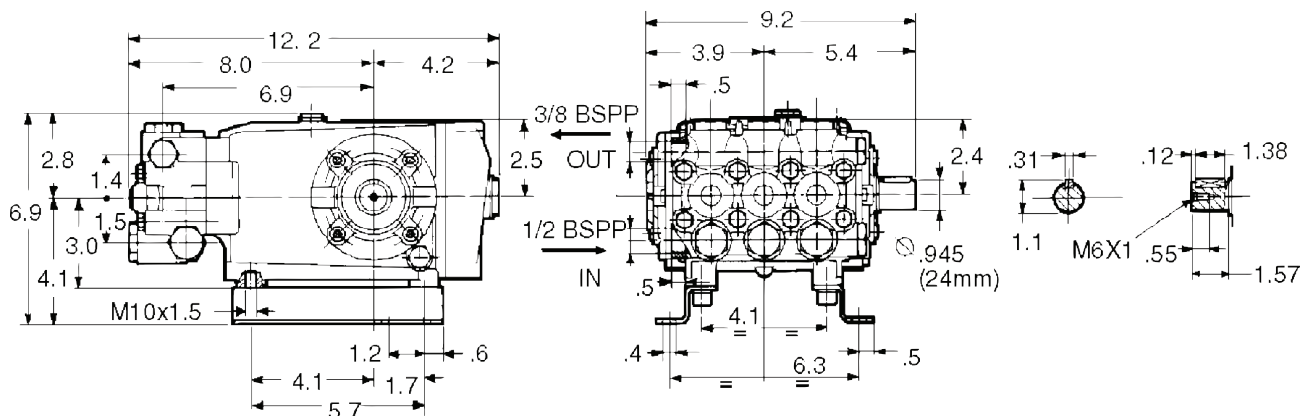
- The preferred pump frame in the pressure cleaning industry
- Forged brass manifold with an exclusive lifetime warranty
- Large-capacity, die-cast, anodized aluminum oil-bath crankcase
- Over-sized connecting rods for maximum life
- Heavy-duty tapered roller bearing
- Solid ceramic plungers with continuously lubricated packings
- Unitized stainless steel inlet and discharge valves



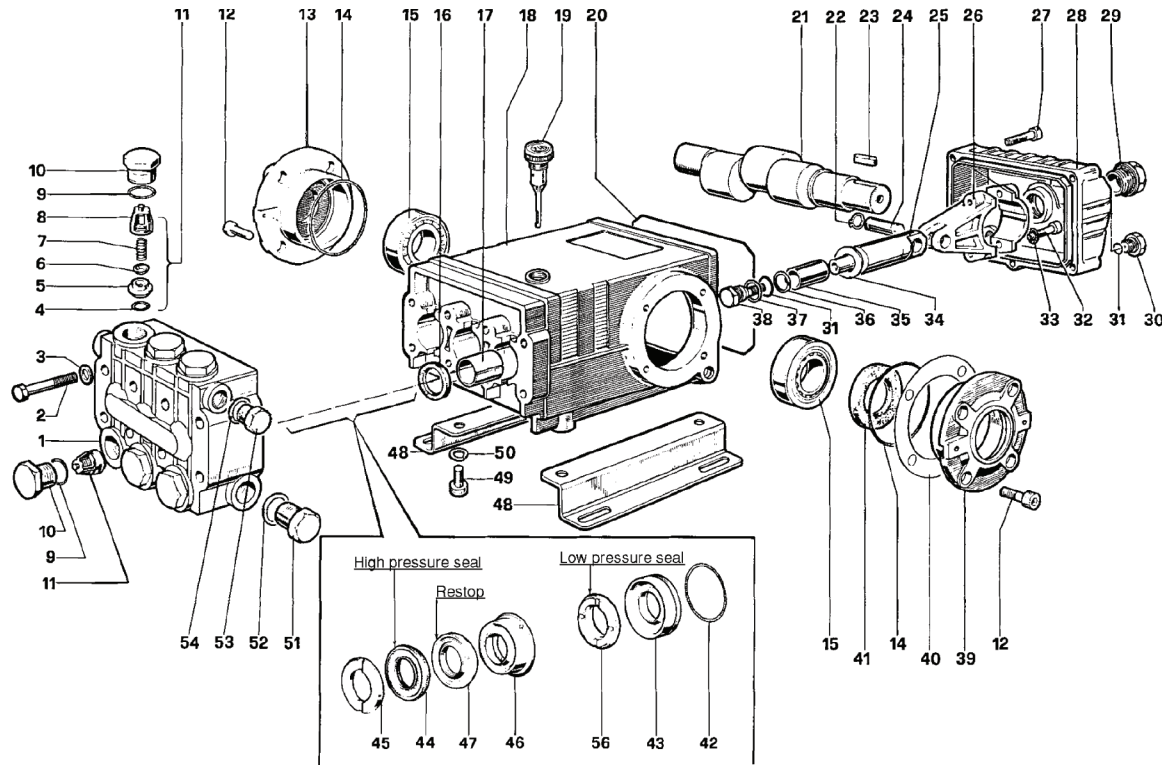
## SPECIFICATIONS

Pump Model	TS1331	TS1711	T9211-N
Maximum Volume	3.5 / 4.0 GPM	3.5 GPM	4.0 GPM
Maximum Discharge Pressure	2100 / 2000 PSI	2700 PSI	3000 PSI
Maximum Pump Speed	1450 / 1750 RPM	1450 RPM	1750 RPM
Maximum Inlet Pressure	125 PSI		
Maximum Inlet Vacuum	9 ft. water (7.9 in. Hg)		
Plunger Bore	.787 in. / 20 mm		
Plunger Stroke	.394 in. / 10 mm		
Crankcase Oil Capacity	33.8 oz.	40.6 oz.	
Maximum Fluid Temperature	165° F		
Inlet Port Thread	1/2-14 BSPP-F		
Discharge Port Thread	3/8-19 BSPP-F		
Shaft Diameter	.945 in. / 24 mm		
Weight	32 lbs.		
Dimensions	12.2" x 9.2" x 6.9"		

## DIMENSIONAL DRAWING



# T Series 47S-20mm x 10 mm **GENERAL PUMP** A member of the Interpump Group



## PARTS LIST

ITEM	PART NO.	DESCRIPTION	KIT NO.	QTY.	ITEM	PART NO.	DESCRIPTION	KIT NO.	QTY.	ITEM	PART NO.	DESCRIPTION	KIT NO.	QTY.
1.	47120841	Manifold		1	19.	98210600	Oil Dip Stick		1	38.	47219566	Screw, Plunger	6	3
	47120941	Manifold, Ni. Plt. (T9211)		1	20.	90392200	O-ring, Cover		1	39.	47150022	Cover, Crankcase		3
2.	99320600	Screw, M8 x 70		8	21.	47021935	Crankshaft, USA		1	40.	97567800	Shim		2
3.	96702000	Washer, M8.4		8	22.	90055700	Ring, Snap		6	41.	90164800	Seal, Oil	3	1
4.	90384100	O-ring, .674 x .10	1	6	23.	91489000	Key		1	42.	90361600	O-ring, 1.364x.070	10,28	3
5.	36200366	Seat, Valve	1	6	24.	97738000	Pin, Wrist		3	43.	47080570	Retainer, Packing	10,28	3
6.	36200176	Plate, Valve	1	6	25.	47050554	Guide, Plunger		3	44.	90270500	Packing	28,69	3
7.	94737600	Spring	1	6	27.	99191200	Screw, M6x30		5	45.	47100051	Ring, Head, M20	7,28	3
8.	36200251	Guide, Valve	1	6		99183700	Screw, M6x14 (TS1331)		5	46.	47216970	Intermed. Ring	28, 71	3
9.	90384700	O-ring, .797x.103	4,5	6	28.	47160122	Cover, Crankcase		1	47.	90270400	Restop Ring	28,69,71	3
10.	98222000	Cap	4	6		47160022	Cover, Crankcase (TS1331)		1	48.	47200074	Pump Feet		2
	98222200	Cap, Ni. Plt (T9211)	5	6	29.	97596800	Oil Indicator		1	49.	99364400	Screw, M10 x 18		4
11.	36703201	Valve Assembly	1	6	30.	98204100	Cap		1	50.	96710600	Washer, M10.2		4
12.	99303900	Screw, M8 x 16		8	31.	90358500	O-ring, .426x.070	6	4	51.	98217600	Cap		1
13.	47150122	Cover, Crankcase		1	32.	99309900	Screw, M8 x 35		6	52.	96751400	Washer, M21.5		1
14.	90391300	O-ring, 2.675x.103		2	33.	96701400	Washer, M8.4		6	53.	98210000	Cap		1
15.	640047	Bearing, Roller		2	34.	96728600	Washer, M14		6	54.	96738000	Washer, M17.5		1
16.	90162500	Seal, Oil	2	3	35.	74040409	Plunger, 20 mm		3	56.	90271000	Seal, Low Press, 20 mm	28, 69	3
17.	90912600	Bushing		3	36.	90506700	Ring, Back-up		6					
18.	47010522	Crankcase		1	37.	96728000	Washer		6					

## REPAIR KITS

KIT NO.	1	2	3	4	5	6	7	10	28	69	71
ITEM NO's INCLUDED IN KIT	4,5,6 7,8 (11)	16	41	9, 10	9, 10	31,34,36 37,38	45	42, 43	42, 43 44, 45 46,47,48	44, 47 56	46, 47
NUMBER OF ASSEMBLIES IN KIT	6	3	2	6	6	3	6	3	1	3	3
NUMBER OF CYLINDERS KIT WILL SERVICE	3	3	-	3	3	3	3	3	1	3	3

## TORQUE SPECS\*

Pos.	Ft/lb
2	22.1
10	73.7
12	14.7
27	7.3
29	13.2
30	14.7
32	14.7
38	14.7
49	29.4
51	29.4
53	29.4

\* Decrease torque by 20% if threads are lubricated