

FEATURES

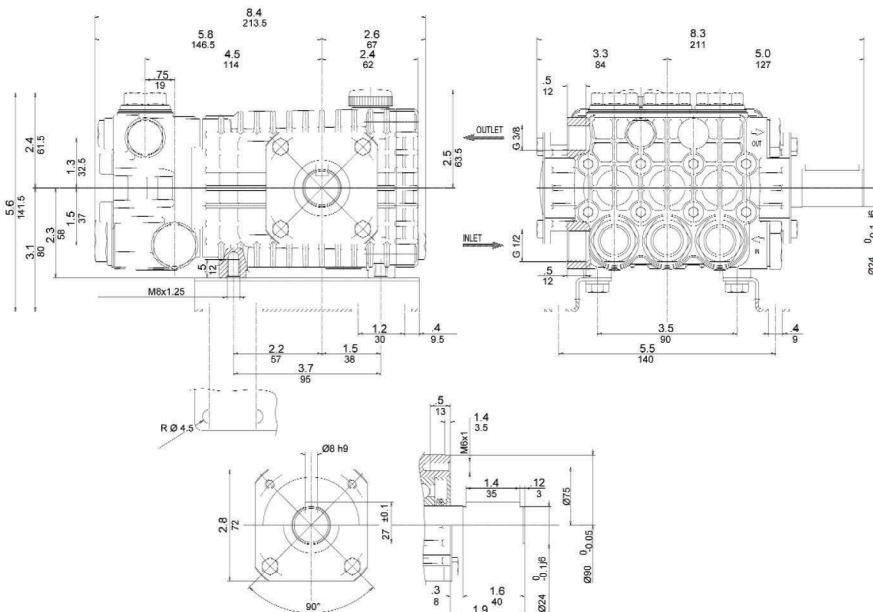
- Flex coupling and bell housing available for direct drive
- Oversized bearings for long life
- New generation seal system for longer life
- Forged brass manifold with an exclusive lifetime warranty*



SPECIFICATIONS

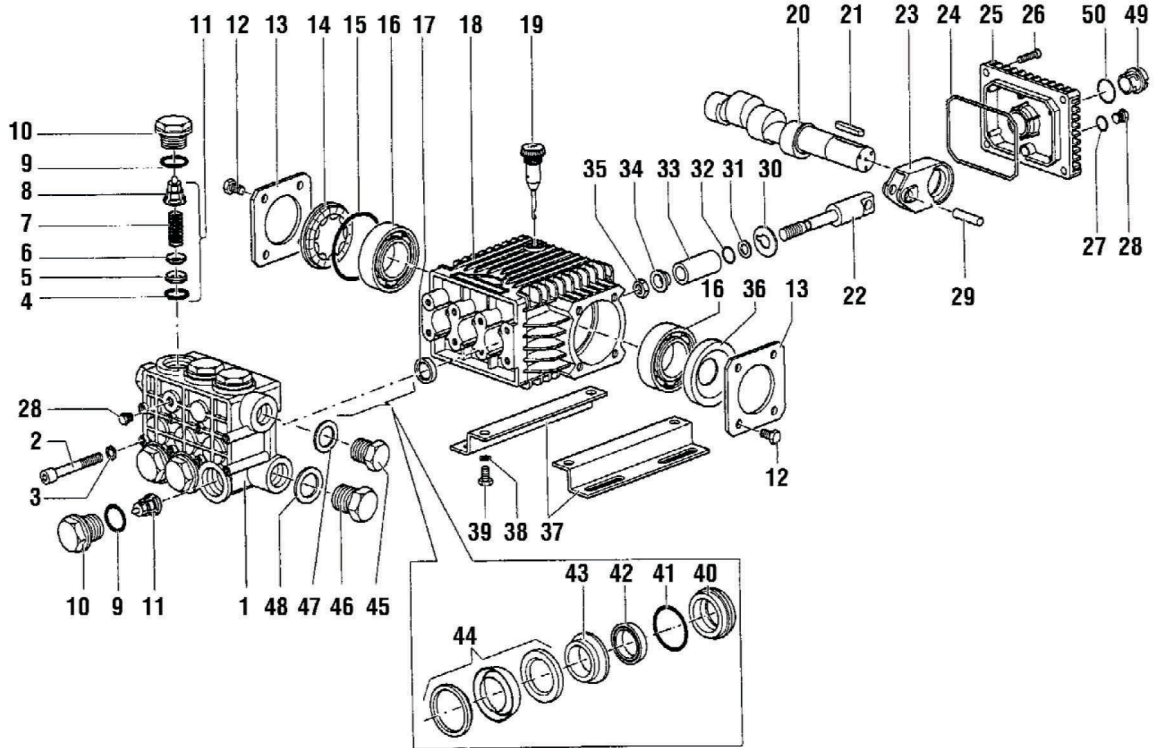
| Pump Model | TX1810S17 | TX1812S17 | TX1512S17 | TX1508S34 | TX1510S34 |
|----------------------------|---------------------------|-----------------|--------------|-----------------|----------------|
| Maximum Volume | 2.7/3.1 GPM | 3.2/3.8 GPM | 2.1/2.6 GPM | 3.0 GPM | 4.0 GPM |
| Maximum Discharge Pressure | 2000 PSI | 2000 PSI | | 3000 PSI | |
| Horsepower | 3.7/4.2 EBHP | 4.4/5.2 EBHP | 4.3/5.3 EBHP | 6.2 EBHP | 8.2 EBHP |
| Maximum Pump Speed | 1450/1750 RPM | | | 3400 RPM | |
| Maximum Inlet Pressure | 125 PSI | | | | |
| Minimum Inlet Pressure | 3 Ft. Water / 2.6 in. Hg. | | | Flooded | |
| Plunger Bore (in / mm) | .709 in / 18 mm | | | .591 in / 15 mm | |
| Plunger Stroke (in / mm) | .394 in / 10 mm | .472 in / 12 mm | | .315 in / 8 mm | .394 in / 10mm |
| Oil Capacity | 14.0 oz | | | | |
| Maximum Fluid Temperature | 165°F | | | | |
| Inlet Port Thread | 1/2 - 14 BSPP-F | | | | |
| Discharge Port Thread | 3/8 - 19 BSPP-F | | | | |
| Shaft Diameter | .945 in / 24 mm | | | | |
| Weight | 19 lbs | | | | |
| Dimensions | 8.4 x 8.3 x 4.8 in | | | | |

DIMENSIONAL DRAWING



TX Series "63"

GENERAL PUMP *A member of the Interpump Group*



PARTS LIST

| ITEM | PART NO. | DESCRIPTION | KIT NO. | QTY. | ITEM | PART NO. | DESCRIPTION | KIT NO. | QTY. | ITEM | PART NO. | DESCRIPTION | KIT NO. | QTY. |
|------|----------|---------------------|---------|------|------|----------|-----------------------|---------|------|------|----------|---------------------------|---------|------|
| 1. | 63120041 | Manifold, 15 mm | | 1 | 20. | 63020865 | Crankshaft, 8 mm | | 1 | 36. | 90164100 | Oil Seal | | 1 |
| | 63120341 | Manifold, 18 mm | | 1 | 21. | 63021265 | Crankshaft, 10 mm | | 1 | 37. | 50200074 | Rail | | 2 |
| 2. | 99319200 | Screw, M8 x 65 | | 8 | | 63021665 | Crankshaft, 12mm | | 1 | 38. | 96701600 | Lockwasher, M8 | | 4 |
| 3. | 96701400 | Lockwasher, M8.4 | | 8 | 21. | 91489200 | Key | | 1 | 39. | 99303700 | Screw, M8 x 16 | | 4 |
| 4. | 90384100 | O-ring | 123 | 6 | 22. | 63050066 | Plunger Guide | | 3 | 40. | 63080070 | Seal Retn'r, 15mm | 162,166 | 3 |
| 5. | 36200366 | Valve Seat | 123 | 6 | 23. | 63030022 | Connecting Rod | | 3 | | 63080170 | Seal Retn'r, 18mm | 163,167 | 3 |
| 6. | 36200176 | Valve Plate | 123 | 6 | 24. | 90392000 | O-ring, Cover | | 1 | 41. | 90360800 | O-ring | 166,167 | 3 |
| 7. | 94737600 | Spring | 123 | 6 | 25. | 63160022 | Rear Crankcase Cover | | 1 | 42. | 90260800 | Seal, LP,15mm | 160,166 | 3 |
| 8. | 36202551 | Valve Cage | 123 | 6 | 26. | 99183700 | Screw, M6 x 14 | | 4 | | 90265000 | Seal, LP,18mm | 161,167 | 3 |
| 9. | 90384700 | O-ring | 124 | 6 | 27. | 701013 | O-ring | | 1 | 43. | 63216070 | Int. Ring,15mm | 164,166 | 3 |
| 10. | 98222600 | Valve Cap | 124 | 6 | 28. | 98204100 | Plug, 1/4" G | | 2 | | 63216170 | Int. Ring,18mm | 165,167 | 3 |
| 11. | 36711501 | Valve Assembly | 123 | 6 | 29. | 97733500 | Connecting Rod Pin | | 3 | 44. | 90261200 | Packing Assy,15mm 160,166 | 3 | 3 |
| 12. | 99180700 | Screw, M6 x 10 | | 8 | 30. | 96707500 | Flinger Washer | | 3 | | 90265400 | Packing Assy,18mm 161,167 | 3 | 3 |
| 13. | 50150074 | Bearing Cover | | 2 | 31. | 660024 | Anti-extrusion Ring | | 3 | 45. | 98210000 | Plug, 3/8" G | | 1 |
| 14. | 44211801 | Oil Level Indicator | | 1 | 32. | 701009 | O-ring | | 3 | 46. | 98217600 | Plug, 1/2" G | | 1 |
| 15. | 90409700 | O-ring | | 1 | 33. | 52040009 | Ceramic Plunger, 15mm | | 3 | 47. | 96738000 | Washer, M17.5 | | 1 |
| 16. | 91832900 | Ball Bearing | | 2 | | 44040109 | Ceramic Plunger, 18mm | | 3 | 48. | 96751400 | Washer, M21.5 | | 1 |
| 17. | 90159500 | Oil Seal | 159 | 3 | 34. | 44211570 | Bushing | | 3 | 49. | 63210051 | Oil Level Indicator | | 1 |
| 18. | 63010022 | Crankcase | | 1 | 35. | 92221600 | Nut, M8 | | 3 | 50. | 90405100 | O-ring | | 1 |
| 19. | 98210300 | Oil Dip Stick | | 1 | | | | | | | | | | |

REPAIR KITS

| KIT NO. | K123 | K124 | K159 | K160 or K161 (15mm) (18mm) | K162 or K163 (15mm) (18mm) | K164 or K165 (15mm) (18mm) | K166 or K167 (15mm) (18mm) |
|--------------------------------------|--------------------|-------|------|-------------------------------|-------------------------------|-------------------------------|-------------------------------|
| ITEM NO's INCLUDED IN KIT | 4, 5, 6, 7, 8 (11) | 9, 10 | 17 | 42, 44 | 40 | 43 | 40, 41, 42, 43, 44 |
| NUMBER OF ASSEMBLIES IN KIT | 6 | 6 | 3 | 3 | 3 | 3 | 1 |
| NUMBER OF CYLINDERS KIT WILL SERVICE | 3 | 3 | 3 | 3 | 3 | 3 | 1 |

TORQUE SPECS*

| Pos. | Ft/lb | Nm |
|------|-------|-----|
| 2 | 14.7 | 20 |
| 10 | 73.7 | 100 |
| 12 | 7.3 | 10 |
| 26 | 7.3 | 10 |
| 28 | 14.7 | 20 |
| 35 | 11.0 | 15 |
| 39 | 14.7 | 2 |
| 45 | 29.4 | 40 |
| 46 | 29.4 | 40 |

* Decrease torque by 20% if threads are lubricated

