

A direct-mount, adjustable, trapped pressure type unloader with built-in bypass.



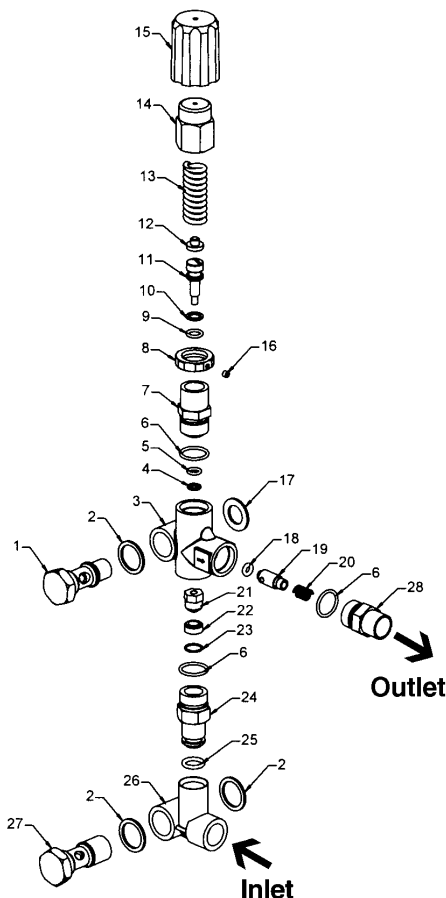
General Pump recommends using a safety relief device in conjunction with a positive displacement pump. General Pump is not liable and assumes no responsibility for this valve when used in a customer's high pressure system.

SPECIFICATIONS

Part Number	YVB135KDM	
Maximum Volume	6.5 GPM	
Rated Discharge Pressure	2300 PSI	
Maximum Discharge Pressure	2600 PSI	
Maximum Temperature	195°F	
Port Size	Inlet:	3/8" BSPP-F
	Outlet	3/8" BSPP-M
Dimensions	5.75" x 3.0" x 1.75"	
Weight	1.4 lb.	
Material	Brass, Stainless Steel Plastic, Buna-N	

**Torque Item #1 to 24 ft-lbs.
Torque Item #27 to 27 ft-lbs.**

PARTS LIST



No.	Part No.	Description	Kit	Qty.
1.	Y60.0385.31	Banjo Bolt 1/4" BSPP, Brass		1
2.	Y14.4100.00	Washer, 3/8" BSPP, Steel With Rubber Insert		3
3.	Y60.0801.35	Housing, Brass		1
4.	Y10.4006.00	Back-Up Ring, 8.6 MM x 6 MM	*	1
5.	Y10.3051.01	O-Ring, 70 Duro, Buna-N, .239" ID x .070" CS	*	1
6.	Y10.3066.00	O-Ring, 70 Duro, Buna-N, .614" ID x .070" CS	*	3
7.	Y60.0303.31	Piston Housing		1
8.	Y60.0319.31	Lock Nut, M18 x 1		1
9.	Y10.3055.00	O-Ring, 70 Duro, Buna-N, .301" ID x .070" CS	*	1
10.	Y10.4008.00	Backup Ring, 11 MM x 8 MM	*	1
11.	Y60.0331.51	Piston M5, Stainless Steel	*	1
12.	Y60.0310.61	Spring Seat		1
13.	Y60.0313.61	Spring, White		1
14.	Y60.0304.31	Knob, Brass		1
15.	Y60.0315.84	Adjustment Knob, Plastic		1
16.	Y16.2100.00	Set Screw		1
17.	Y14.3813.22	Washer, Aluminum, 13 MM x 22 MM		1
18.	Y10.3125.00	O-Ring, 70 Duro, Buna-N, .157" ID x .098" CS	*	1
19.	Y60.0308.31	Check Valve		1
20.	Y60.0312.51	Spring, Stainless Steel, Check Valve		1
21.	Y60.0333.21	Ball & Housing M5	*	1
22.	Y60.0311.51	Seat, 12 MM x 7 MM	*	1
23.	Y10.3005.00	O-Ring, 70 Duro, Buna-N, .394" ID x .039" CS	*	1
24.	Y60.0382.31	Bypass Fitting		1
25.	Y10.3109.96	O-Ring, 70 Duro, Viton, .406" ID x .094" CS		1
26.	Y60.0821.35	Manifold, Brass		1
27.	Y60.0803.31	Banjo Bolt 3/8" BSPP, Brass		1
28.	Y60.0305.31	Outlet Fitting, 3/8" BSPP-M		1
*	Y60.0398.24	Repair Kit		

A direct-mount, adjustable, trapped pressure type unloader with built-in bypass.



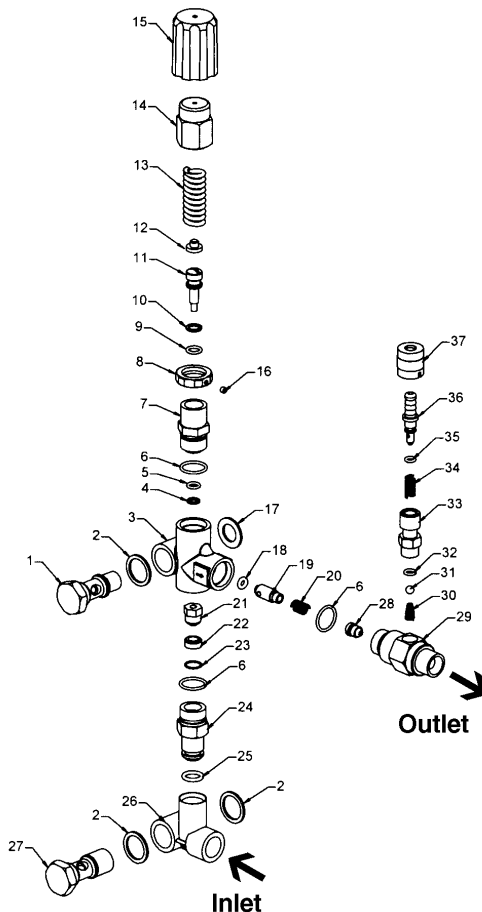
General Pump recommends using a safety relief device in conjunction with a positive displacement pump. General Pump is not liable and assumes no responsibility for this valve when used in a customer's high pressure system.

SPECIFICATIONS

Part Number	1.8 mm nozzle	YVB135KDMI18
	2.1 mm nozzle	YVB135KDMI21
	2.3 mm nozzle	YVB135KDMI23
Maximum Volume	6.5 GPM	
Rated Discharge Pressure	2300 PSI	
Maximum Discharge Pressure	2600 PSI	
Maximum Temperature	195°F	
Port Size	Inlet:	3/8" BSPP-F
	Outlet	3/8" BSPP-M
Dimensions	5.75" x 4.0" x 1.75"	
Weight	1.7 lb.	
Material	Brass, Stainless Steel Plastic, Buna-N	

**Torque Item #1 to 24 ft-lbs.
Torque Item #27 to 27 ft-lbs.**

PARTS LIST



No.	Part No.	Description	Kit	Qty.
	Y60.0397.15/16/17/18/21/23	YVB135KDMI15/16/17/18/21/23		
1.	Y60.0385.31	Banjo Bolt 1/4" BSPP, Brass		1
2.	Y14.4100.00	Washer, 3/8" BSPP, Steel With Rubber Insert		3
3.	Y60.0801.35	Housing, Brass		1
4.	Y10.4006.00	Back-Up Ring, 8.6 MM x 6 MM	*	1
5.	Y10.3051.01	O-Ring, 70 Duro, Buna-N, .239" ID x .070" CS	*	1
6.	Y10.3066.00	O-Ring, 70 Duro, Buna-N, .614" ID x .070" CS	*	3
7.	Y60.0303.31	Piston Housing		1
8.	Y60.0319.31	Lock Nut, M18 x 1		1
9.	Y10.3055.00	O-Ring, 70 Duro, Buna-N, .301" ID x .070" CS	*	1
10.	Y10.4008.00	Backup Ring, 11 MM x 8 MM	*	1
11.	Y60.0331.51	Piston M5, Stainless Steel	*	1
12.	Y60.0310.61	Spring Seat		1
13.	Y60.0313.61	Spring, White		1
14.	Y60.0304.31	Knob, Brass		1
15.	Y60.0315.84	Adjustment Knob, Plastic		1
16.	Y16.2100.00	Set Screw		1
17.	Y14.3813.22	Washer, Aluminum, 13 MM x 22 MM		1
18.	Y10.3125.00	O-Ring, 70 Duro, Buna-N, .157" ID X .098" CS	*	1
19.	Y60.0308.31	Check Valve		1
20.	Y60.0312.51	Spring, Stainless Steel, Check Valve		1
21.	Y60.0333.21	Ball & Housing M5	*	1
22.	Y60.0311.51	Seat, 12 MM x 7 MM	*	1
23.	Y10.3005.00	O-Ring, 70 Duro, Buna-N, .394" ID x .039" CS	*	1
24.	Y60.0382.31	Bypass Fitting		1
25.	Y10.3109.96	O-Ring, 70 Duro, Viton, .406" ID x .094" CS		1
26.	Y60.0821.35	Manifold, Brass		1
27.	Y60.0803.31	Banjo Bolt 3/8" BSPP, Brass		1
28.	Y21.0219.51	Injector Nozzle, 1.5 MM <i>optional</i>		1
	Y21.0216.51	Injector Nozzle, 1.6 MM <i>optional</i>		1
	Y21.0217.51	Injector Nozzle, 1.7 MM <i>optional</i>		1
	Y21.0212.51	Injector Nozzle, 1.8 MM		1
	Y21.0213.51	Injector Nozzle, 2.1 MM		1
	Y21.0215.51	Injector Nozzle, 2.3 MM		1
29.	Y21.0211.31	Injector Body, M18 x 3/8" NPT-M		1
30.	Y21.0160.51	Spring, Stainless Steel		1
31.	Y14.7420.01	SS Ball, 7/32" AISI 316		1
32.	Y10.3049.00	O-Ring, 70 Duro, Viton, .208" ID x .070" CS		1
33.	Y21.0161.31	Nipple, M12 x M14		1
34.	Y21.0158.51	Spring, Stainless Steel		1
35.	Y10.3043.01	O-Ring, 70 Duro, Viton, .176" ID x .070" CS		1
36.	Y21.0155.31	Hose Barb, Adjustable		1
37.	Y21.0102.31	Adjustment Knob, Brass		1
*	Y60.0398.24	Repair Kit		1