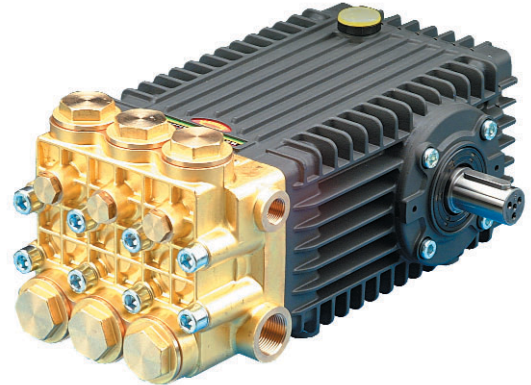


FEATURES

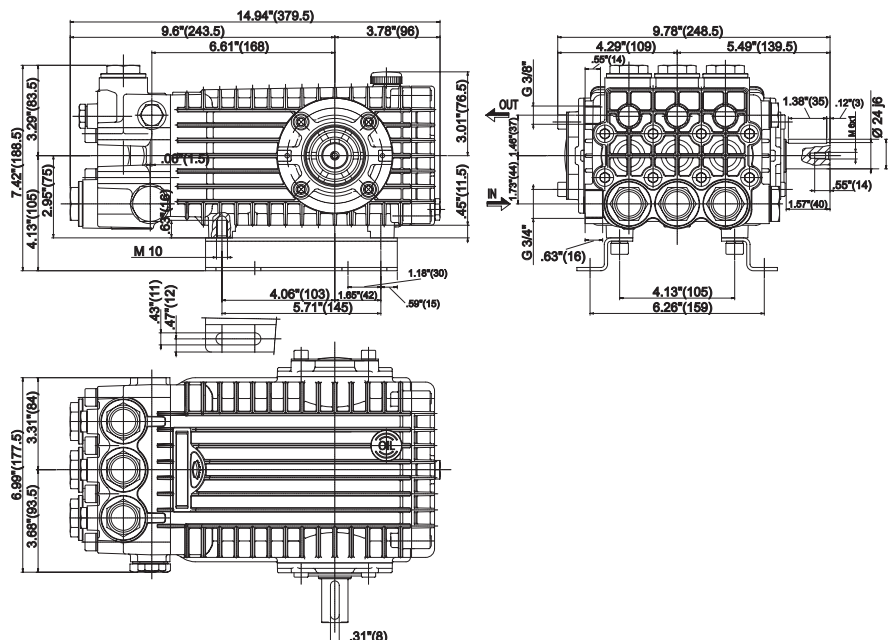
- Oversized roller bearings
- Fully anodized crankcase
- Innovative new seal design extends seal life
- New plunger design improves thermal shock resistance
- New valve cap improves hydrostatic performance



SPECIFICATIONS

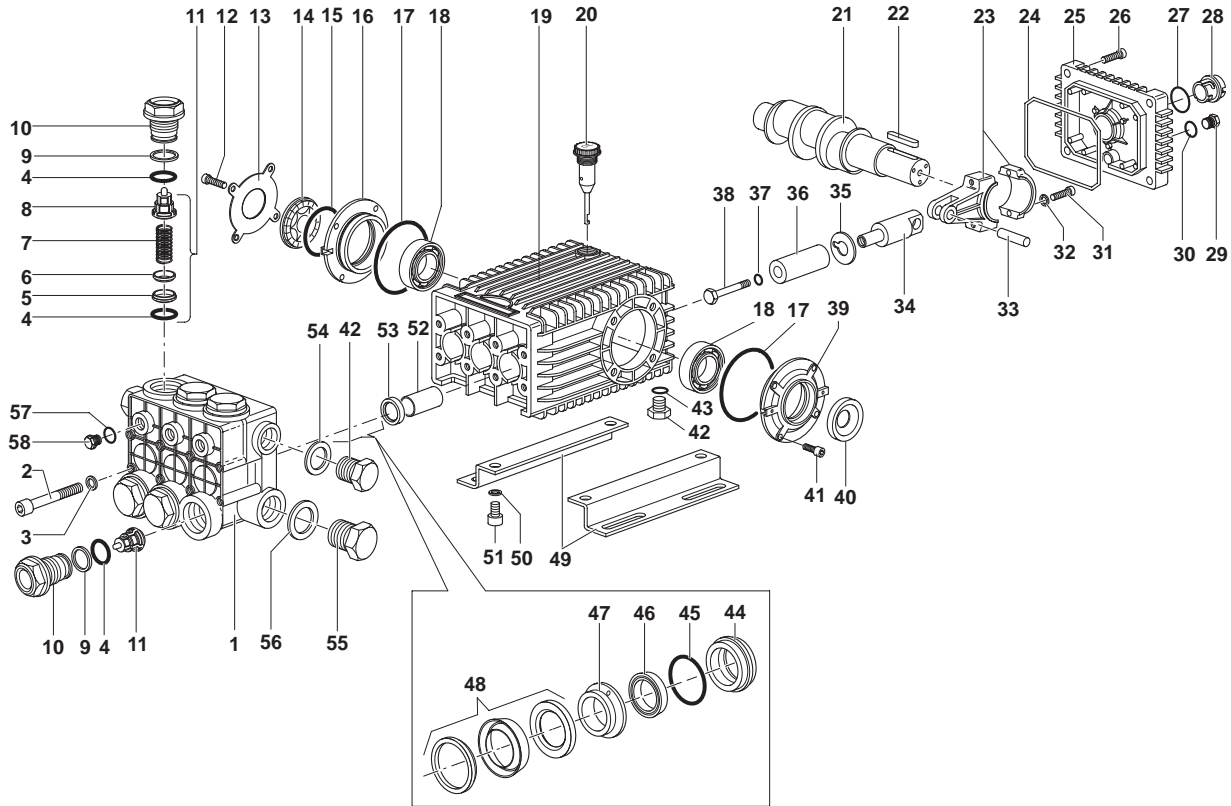
Pump Model	TSF2421	TSF2421 Alternate Spec
Maximum Volume	12.0 GPM	10.0 GPM
Maximum Discharge Pressure	2500 PSI	3000 PSI
Horsepower	22.3 BHP	22.2 BHP
Maximum Pump Speed	1750 RPM	1450 RPM
Maximum Inlet Pressure	125 PSI	
Maximum Inlet Vacuum	9 ft. water (7.9 in Hg)	
Plunger Bore (in / mm)	.944 / 24	
Plunger Stroke (in / mm)	.826 / 21	
Oil Capacity	31.0 oz	
Maximum Fluid Temperature	165°F	
Inlet Port Thread	3/4-14 BSPP-F	
Discharge Port Thread	3/8-19 BSPP-F	
Shaft Diameter (in / mm)	.945 / 24	
Weight	40.7 lbs / 18.5 kg	
Dimensions	31.27 x 9.6 x 6.23 in	

DIMENSIONAL DRAWING



66 Series, TSF

GENERAL PUMP *A member of the Interpump Group*



PARTS LIST

POS.	PART NO.	DESCRIPTION	QTY.	POS.	PART NO.	DESCRIPTION	QTY.	POS.	PART NO.	DESCRIPTION	QTY.
1	66120241	Manifold 24mm	1	20	98210600	Dipstick, vented	1	40	90164800	Seal, Shaft	1
2	99380100	Headbolt M10 x 90	8	21	66020035	Crankshaft 21mm Stroke	1	41	99303900	Screw M8 x 16	4
3	96710400	Washer M10	8	22	91489200	Key	1	42	98210000	Plug 3/8 x 13	2
4	90385700	O-ring	12	23	66030001	Connecting Rod	3	43	90383300	O-ring	1
5	36203366	Valve Seat	6	24	90392200	O-ring	1	44	66080470	Seal Retainer 24mm	3
6	36203476	Valve Poppet	6	25	66160022	Cover, Crankcase	1	45	90361600	O-ring	3
7	94738800	Valve Spring	6	26	99188400	Screw M6 x 20	4	46	90273800	LP Seal 24mm	3
8	36203551	Valve Guide	6	27	90405100	O-ring	1	47	66216470	Intermediate Ring 24mm	3
9	90516500	Anti-ext ring	6	28	63210051	Sightglass, Bayonet style	1	48	90274100	HP Seal 24mm	3
10	66130041	Valve Cap	6	29	98204100	Plug 1/4 x 9	1	49	47200074	Pump Rail	2
11	36712701	Valve Assy., Complete	6	30	701013	O-ring	1	50	96710600	Washer M10	4
12	99306900	Screw M8 x 25	4	31	99309900	Screw M8 x 35	6	51	99364400	Screw M10 x 18	4
13	66150274	Cover	1	32	96701400	Locking Washer M8	6	52	90912600	Guide Bushing	3
14	44211801	Sightglass	1	33	97740500	Wrist Pin	3	53	90162500	Seal, Plunger Rod	3
15	90409700	O-ring	1	34	66050064	Piston Guide	3	54	96738000	Gasket, Aluminum 3/8"	1
16	66150122	Side Cover	1	35	96710100	Flinger Washer	3	55	98226500	Plug 3/4" x 16	1
17	701147	O-ring	2	36	66040409	Plunger 24mm	3	56	96770000	Gasket, Aluminum 3/4"	1
18	91838000	Bearing	2	37	90358400	O-ring	3	57	701013	O-ring	3
19	66010022	Crankcase	1	38	66219566	Plunger Bolt	3	58	98204300	Plug 1/4" x 13	3
				39	66150022	Side Cover, PTO	1				

REPAIR KITS

KIT NO.	K02	K03	K169	K181	K182
POS. NO's INCLUDED IN KIT	53	40	4, 5, 6, 7, 8 (11)	46, 48	44, 45, 46, 47, 48
NUMBER OF ASSEMBLIES IN KIT	3	1	6	3	3
NUMBER OF CYLINDERS KIT WILL SERVICE	3	N/A	3	3	1

TORQUE SPECS*

POS.	Nm	Ft/lb
2	45	33.2
10	130	95.9
12	20	14.8
26	10	7.4
29	20	14.8
31	20	14.8
38	20	14.8†
41	20	14.8
42	40	29.5
51	40	29.5
55	70	51.6
58	40	29.5

* Decrease torque by 20% if threads are lubricated

† Use Loc-Tite 542 or similar

